

# Chopper Pump for Tractor CPT



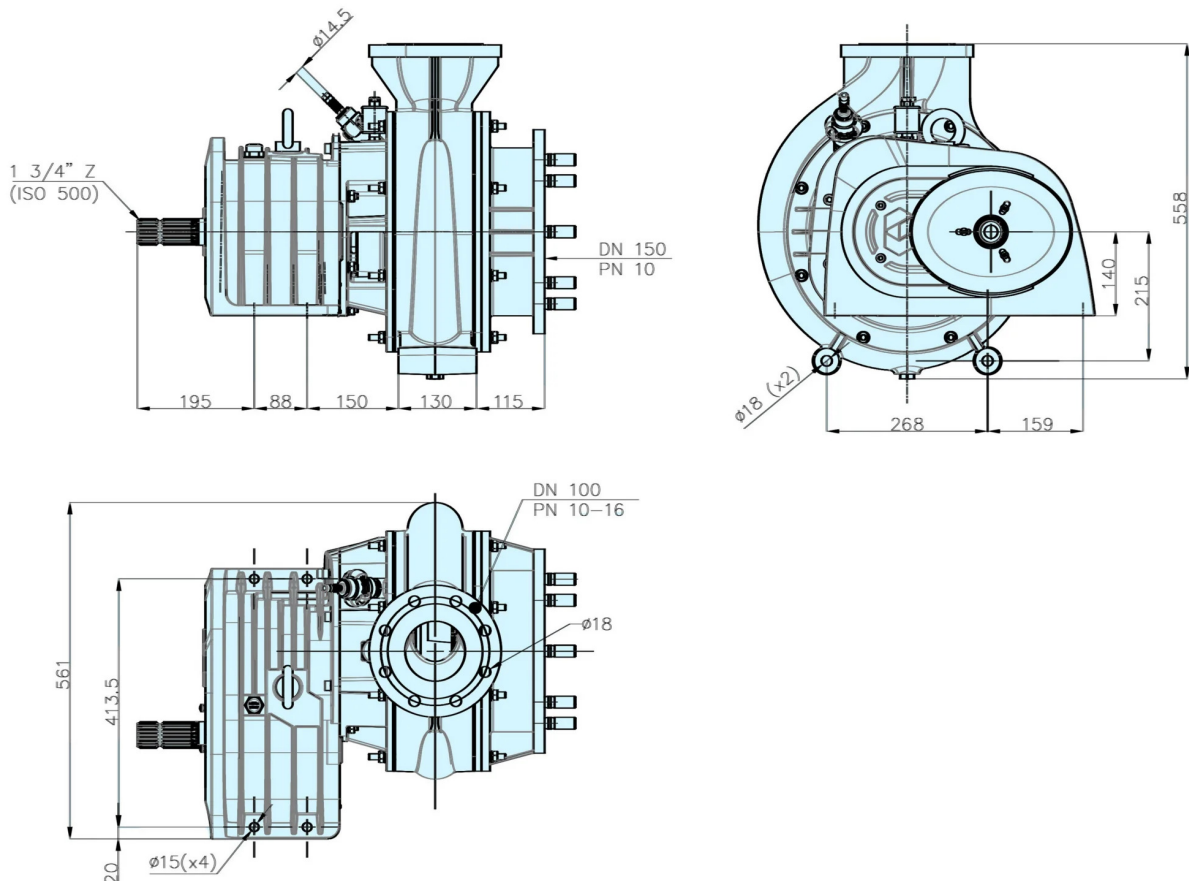
# Chopper Pump for Tractor CPT

## EFFICIENT, ROBUST, RELIABLE

The CHIOR® CPT Tractor-driven Pump is engineered for efficient shredding and transfer of slurry from animal husbandry, biogas digestate, and industrial wastewater with lumpy or fibrous solids. Its advanced cutting system optimises performance by effectively reducing fibrous components, ensuring reliable operation even in demanding conditions.



### Overall Dimensions



## Benefits

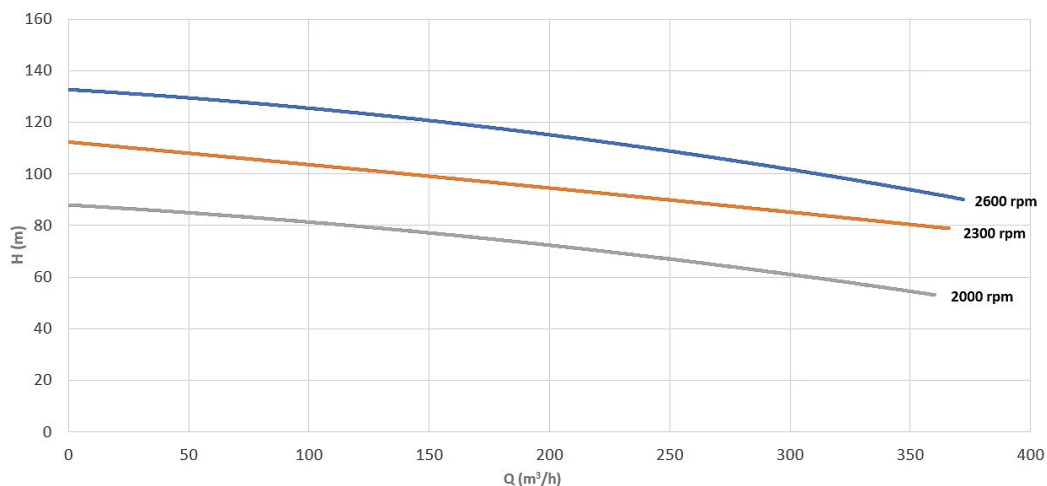
- ✓ Self-adjusting chopping system ensuring consistent performance
- ✓ Designed for easy maintenance and low operating costs
- ✓ Lubricating oil can be visually inspected through external container
- ✓ Gear's anti-contamination system enhancing safety and reliability

## Technical Features



- Pump's wet end and gearbox completely separated, preventing gearbox contamination in case of mechanical seal failure
- Oil-lubricated mechanical sealing system for enhanced durability
- Fixed knives, helicoid, and impeller blades made from treated and hardened materials for increased wear resistance
- Suction flange designed for high suction capacity while minimising turbulence
- Capable of handling slurry with up to 12% solids
- Operates at speeds of up to 2,600 rpm
- Max rated pressure: 14 bar
- Not suitable for dry running

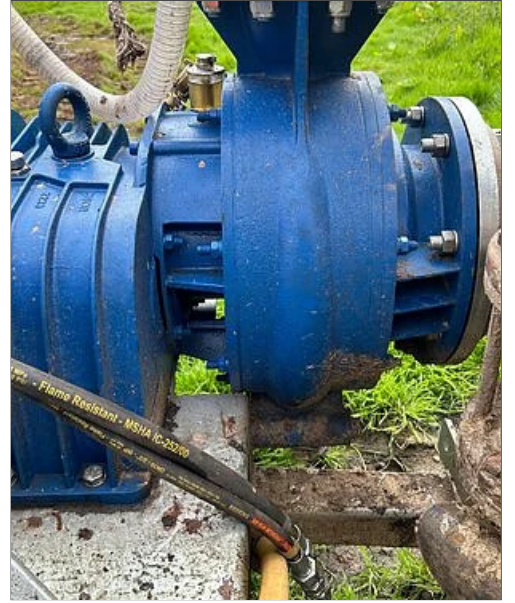
## Range - Performance



\* Values measured with clear water at 20 °C.

Results may vary by changing the operating conditions depending on the flow rate, density and viscosity of the liquid, the type and dry matter content of the slurry (depending on type of animal feed), the height and distance of the support, as well as the diameter of the pipe.

# Application



August 2025 Rights reserved to modify technical specifications.



This brochure has been edited for distribution in European Union countries.